

# Ditec NeoS

Automation for sliding gates up to 1000 Kg

**Ditec NeoS** is a sliding-gate operating device for residential, commercial and industrial applications. It is designed to resist even under heavy use and demanding weather conditions. With quick installation and easy maintenance, it is available in 4 different versions: 300 Kg, 400 Kg, 600 Kg and 1000 Kg. The operating device features a built-in control panel and display. Two different performance levels are available: **Ditec NeoS** and **Ditec NeoS+**.



INTELLIGENT



SAFE



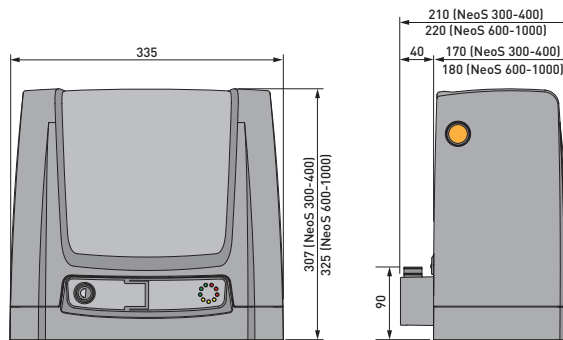
VERSATILE



## Data sheet

EN

[www.entrematic.com](http://www.entrematic.com)



## Technical specifications

Description	NeoS 300	NeoS 400 - NeoS+ 400	NeoS 600 - NeoS+ 600	NeoS+ 1000
Max. leaf weight	300 kg	400 kg	600 kg	1000 kg
Stroke control	virtual encoder	virtual encoder	limit switch + virtual encoder	limit switch + virtual encoder
Maximum opening	12 m	12 m	20 m	20 m
Duty class	4 - heavy duty	4 - heavy duty	4 - heavy duty	4 - heavy duty
Intermittent operation	S2 = 30 min S3 = 50%	S2 = 30 min S3 = 50%	S2 = 30 min S3 = 50%	S2 = 30 min S3 = 50%
Power supply	230 V AC / 50/60 Hz	230 V AC / 50/60 Hz	230 V AC / 50/60 Hz	230 V AC / 50/60 Hz
Motor power supply	24 V DC	24 V DC	24 V DC	24 V DC
Power input	1.2 A	1.2 A	1.5 A	2 A
Thrust	300 N	400 N	600 N	1000 N
Opening and closing speed	0.1 - 0.25 m/s	0.1 - 0.25 m/s	0.1 - 0.24 m/s	0.1 - 0.19 m/s
Protection rating	IP 24D	IP 24D	IP 24D	IP 24D
Operating temperature	-20°C / +55°C [-35°C / +55°C with NIO enabled]			

## Main functions of the system

Description	NeoS 300 - 400 - 600	NeoS+ 400 - 600 - 1000
Control panel	ref. CS12E with integrated radio receiver	ref. CS12M with incorporated radio receiver
Radio frequency	433.92 MHz standard - 868.65 MHz (with GOL868R4)	433.92 MHz standard - 868.65 MHz (with GOL868RS)
Batteries	■ (optional)	■ (optional)
Solar-energy ready		■ (ready)
Accessories power supply	24 V DC / 0.3 A	24 V DC / 0.5 A
Flashing light	24 V DC	24 V DC
Automation-system status indicator output		■
Courtesy light output (up to 400 W)		■
Micro USB connection for PC diagnostics		■
Automatic closure activated by external timer		■
8.2 KΩ-resistance safety rib	■ (with GOPAV system)	■ (with GOPAV system)
Force and speed setting	via display	via display
ODS - Obstruction Detection System	■	■
Braking/slowing down	via display	via display
Partial opening control	■ (only with remote control)	■ (with remote control and selector)
Open/close control	■	■
Timer controlled automatic closing	■	■
Hold-to-run control	■	■
Emergency stop/reverse	■	■
Safety-test function	■	■
Soft Start	■	■

## FULL COMPLIANCE WITH EU DIRECTIVES AND STANDARDS



- 2014/30/EU - EMCD - Electromagnetic Compatibility Directive
- 2014/53/EU - RED - Radio Equipment Directive
- 2006/42/CE - Machines Directive - (Annex II-B; Annex II-A; Annex I-Chapter 1)
- **Harmonised EU Standards:** EN ISO 13849-1 and EN ISO 13849-2 (certified by TÜV Rheinland); EN 60335-1; EN61000-6-3; EN61000-6-2; ETSI EN 300 220-1; ETSI EN 300 220-2; ETSI EN 301 489-1; ETSI EN 301 489-3
- **Other standards/technical specifications applied:** EN12445; EN62233; EN55014-1
- ITT tests passed with active and passive safety rib [EN 12453]