

SAFE **24V**
VIRTUAL
ENCODER

VERSATILE 
SETTING

INNOVATIVE 
NEW
CONCEPT



Entrematic LCU

Control panels for 1 or 2 24 V motors
for swing gates

EN

Entrematic LCU

Entrematic LCU is the new range of multifunction control panels for one or two 24 Volt DC motors for swing gates.

Available in two versions: **LCU30H for motors up to 6 A** and **LCU40H for motors up to 12 A**.

Both panels make it easy to use the display to configure position and speed at any time, allowing adjustment for acceleration, deceleration, start time, slowdown distance and approach speed during opening and closing.

The gate can now be opened and closed via Bluetooth with a smartphone app, and access credentials are easily managed (with an optional accessory).

Entrematic LCU30H

For motors up to 6 A



two-digit display and navigation buttons for easy configuration and diagnostics

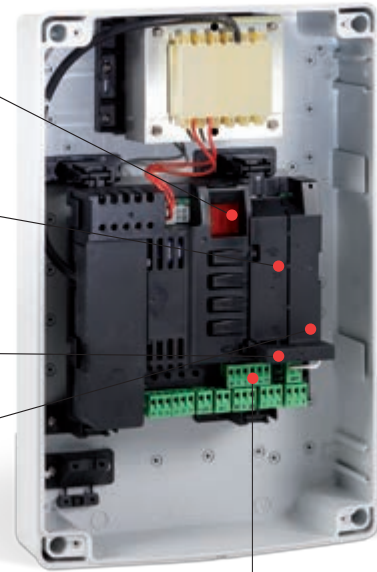
housing for plug-in control and safety cards (self-testing safety edges, magnetic loop motion detector, Bluetooth gate opening module and access credential management)

433/868 MHz radio receiver module, removable and swappable

removable memory to save operating settings for duplication on another control unit, and for programming remote controls

Entrematic LCU40H

For motors up to 12 A



Electronic card with plastic protection, can be removed if supplementary accessories are installed



SAFETY FIRST thanks to the virtual encoder

- constant monitoring of impact forces and immediate obstacle detection ensuring that the electromechanical actuator is stopped or the motion is inverted (if configured) when obstacles are detected
- precise speed setting with the ability to configure slowing and start time, preventing mechanical stress during closing or opening
- possibility to comply with operating impact values without having to fit active sensitive edges
- compliant with standard 13849 with or without installation of active edges



VERSATILE control panel

- self-learning procedure made easier by the display and navigation buttons. Operating parameters are configured in just two steps
- in the event of a temporary power outage, there is a possibility of connecting to batteries, to guarantee continued operation and enable the system to carry out a large number of movements while the electricity supply is being restored
- partial opening control for pedestrian access, via remote control or dedicated control (e.g. key switch)

OUR EXPERTISE AT YOUR SERVICE

A complete range. A dedicated team of specialists. Excellent technology and design. Passionate to be different.

Entrematic is a commercial partner with a complete range in the entrance-automation sector, which combines specialised know-how and high-profile brands.

The Ditec brand has been a world leader for more than 40 years, offering a complete range of automation systems for gates, automatic doors and high-speed doors.



New features for you and your customers

NUMEROUS ADVANTAGES FOR YOUR CUSTOMERS

technologically advanced solutions make the system easy to sell



GREEN Mode

immediate savings can be made thanks to control over standby consumption

In most residential installations with medium use, the control panel is in standby around 90% of the time and active only 10% of the time.

The new GREEN mode feature, already included in LCU40H, was designed to reduce electricity consumption during standby, offering immediate savings to electricity bills.



HYBRID TECHNOLOGY to optimize energy use

The new battery controller (optional) not only adjusts the battery charge, but has additional features: it constantly determines whether to power the system with a solar-rechargeable battery or whether it is necessary to use electricity.

This makes it possible to install systems powered exclusively with solar energy, in stand alone mode.



SIMPLE AND SECURE ACCESS via smartphone and access credentials*

It is now possible to easily open the gate with a smartphone, via Bluetooth, activating access credentials for permanent or temporary access for other users, based on time periods that can be configured and adjusted at any time (with the optional accessory).

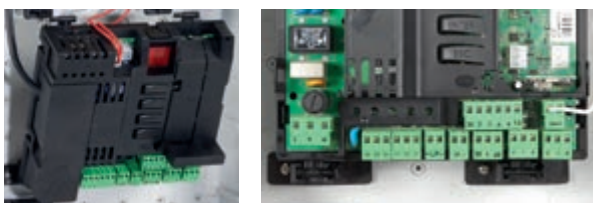
*available as of September 2017



CONFIGURE WITH EASE on LCU40H

The panel can be completely removed, for improved convenience during wiring, better viewing of the display and simpler insertion of batteries in the back

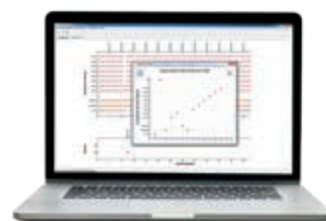
- dedicated opening, closing and stop contacts
- contact for automatic closing management
- contact to indicate gate status



AND IF YOU CAN'T resolve a problem

- integrated diagnostics with counters and history for the most recent alarms, visible on the panel display (LCU30H and LCU40H)
- in-depth diagnostics with registration of all events on a micro SD card (on LCU40H). Data can be displayed and precisely analysed with software**

Micro SD slot for extended datalogging on LCU40H

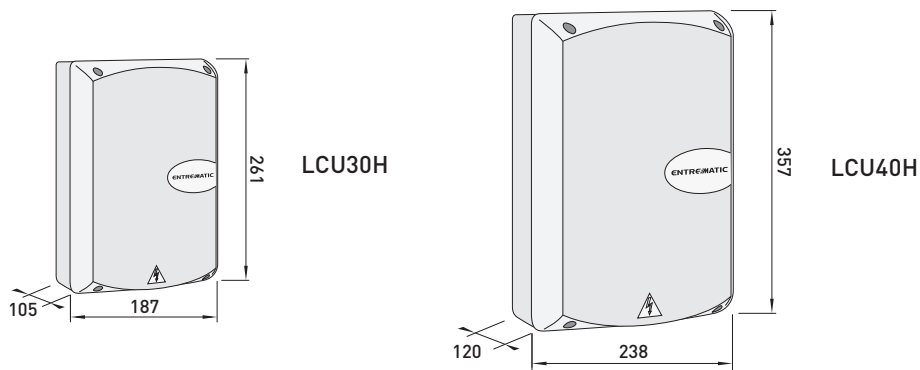


**www.ditecentrematic.com/download

FULL COMPLIANCE WITH EU DIRECTIVES AND STANDARDS

- 2014/30/EU - EMCD - Electromagnetic Compatibility Directive
- 2014/53/EU - RED - Radio Equipment Directive
- 2006/42/EC - Machines Directive (Annex II-B; Annex II-A; Annex I-Chapter 1)
- **Harmonised EU Standards:** EN ISO 13849-1 and EN ISO 13849-2 (certified by TÜV Rheinland only for LCU40H); EN 60335-1; EN61000-6-3; EN61000-6-2; ETSI EN 300 220-1; ETSI EN 300 220-2; ETSI EN 301 489-1; ETSI EN 301 489-3





Main functions of the system

| Description | LCU30H | LCU40H |
|---|--|--|
| Control panel | for 1 or 2 24 Volt DC motors with incorporated radio decoder and 433 MHz receiver module | for 1 or 2 24 Volt DC motors with incorporated radio decoder and 433 MHz receiver module |
| 433 MHz --> 868 MHz interchangeable receiver module | ■ | ■ |
| Mains power supply | 230 V - 50/60 Hz | 230 V - 50/60 Hz |
| Batteries | ■ (with optional accessory) | ■ (with optional accessory) |
| Motor power supply | 24 V DC / 2 x 6 A Ditec PWR25H, Ditec PWR35H, Ditec ARCBH, Ditec Facil | 24 V DC / 2 x 12 A Ditec PWR25H, Ditec PWR35H, Ditec PWR50H/HV/HR, Ditec ARCBH/1BH, Ditec Facil, Ditec Cubic, Ditec DOR |
| Compatible motors | | |
| Accessories power supply | 24 V DC / 0.3 A direct - 0.5 A max. | 24 V DC / 0.5 A direct |
| Electro-mechanical lock | ■ | ■ |
| Flashing light | 24 V DC | 24 V DC |
| Gate-open warning light | Shared with electro-mechanical lock or flashing light | ■ |
| Limit-switch provision | ■ | ■ |
| Virtual encoder (speed and deceleration control) | ■ | ■ |
| Settings adjustment | from display | from display |
| Braking / Slowing down | ■ | ■ |
| Soft start / Soft stop | ■ | ■ |
| Time setting | ■ | ■ |
| Open control | ■ | ■ |
| Partial opening control | ■ | ■ |
| Close control | ■ | ■ |
| Stop control | ■ | ■ |
| Inching control | ■ | ■ |
| Hold-to-run control | ■ | ■ |
| Adjustable automatic closing time | ■ | ■ |
| Contact for automatic closing management | ■ | ■ |
| Emergency stop | ■ | ■ |
| Safe closing (inversion) | ■ | ■ |
| Safety test (for self-testing safety devices) | ■ | ■ |
| NIO - Antifreeze system | ■ | ■ |
| Green mode (standby consumption <1 W) | ■ | ■ |
| Integrated datalogging (counters and recent alarm history) | ■ (can be viewed on display) | ■ (can be viewed on display and on PC with SW Amigo) |
| Extended datalogging with micro SD (in-depth records for every event) | ■ | ■ (can be viewed on PC with SW Amigo) |
| FW update through USB/Micro SD | ■ | ■ |
| Operating temperature | -20°C / +55°C (-35°C / +55°C with NIO enabled) | -20°C / +55°C (-35°C / +55°C with NIO enabled) |
| Protection rating | IP55 | IP55 |
| Product dimensions (mm) | 187x261x105 | 238x357x120 |

THE RIGHT ACCESSORIES ARE EASY TO CHOOSE

Card

for Bluetooth control using a smartphone app and access credential management (available from September 2017)



Controller

to manage batteries and solar energy production, complete with assembly brackets



868 MHz receiver module



Batteries

complete with installation BOX
- 2 x Batteria 2 Ah + small IP55 box
- 2 x Batteria 6.5 Ah + large IP55 box



Entrematic Italy S.p.A.

Largo U. Boccioni, 1 • 21040 Origgio (VA) • Italy

Tel +39 02 963911 • Fax: +39 02 9650314

ditec@entrematic.com

www.ditecentrematic.com • www.entrematic.com

Cod. N213B - 01/2017

Entrematic LCU

gdp milano 170465

Present in: France, Germany, Spain, Turkey and Canada.

For addresses and contact information see our website www.ditecentrematic.com

