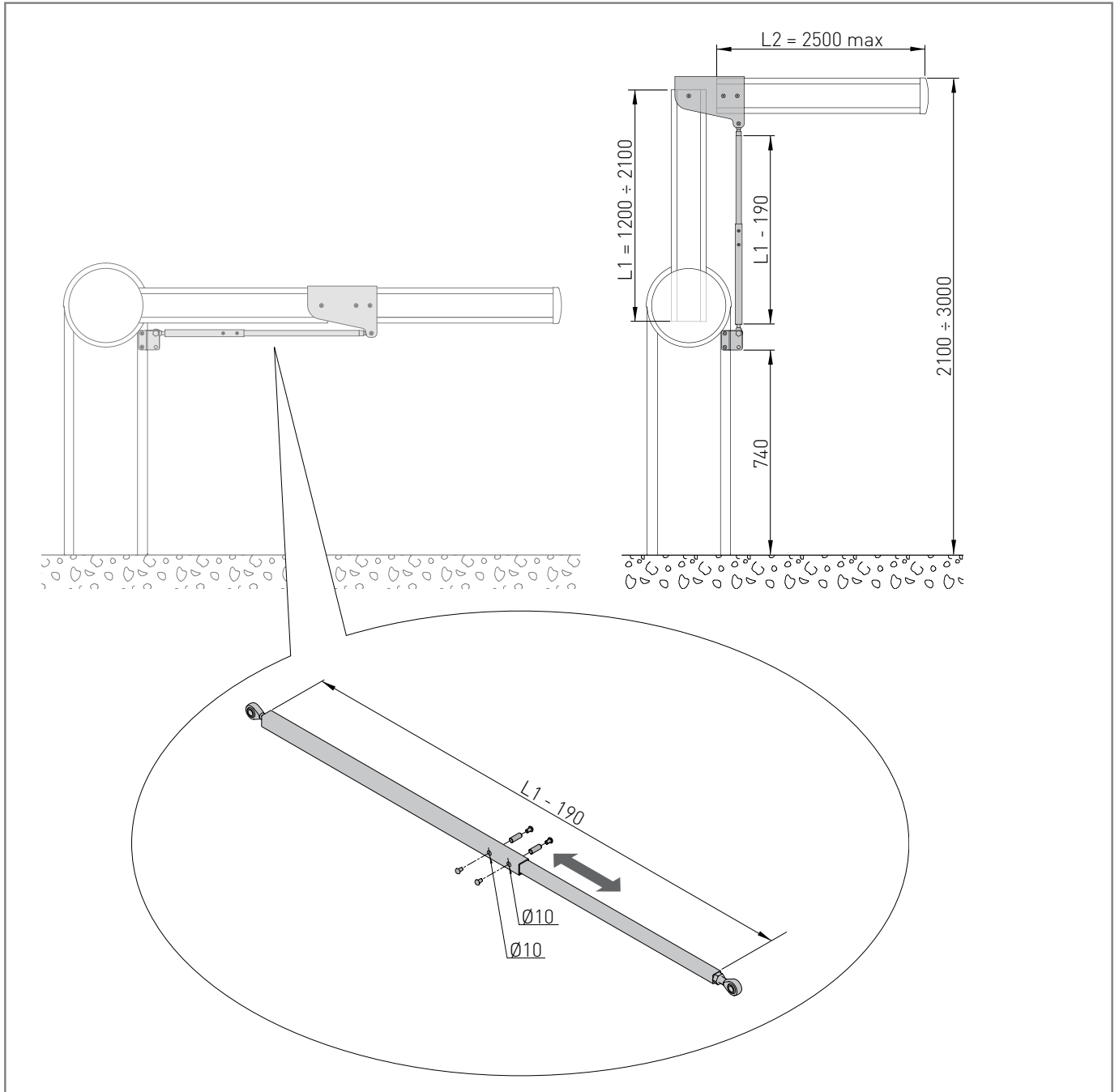


Ditec QIKSN

IP1908

Manuale di installazione snodo per barriera.
Installation handbook for arms' articulated joint.



Entrematic Group AB
Lodjursgatan 10
SE-261 44, Landskrona
Sweden
www.ditecentrematic.com

