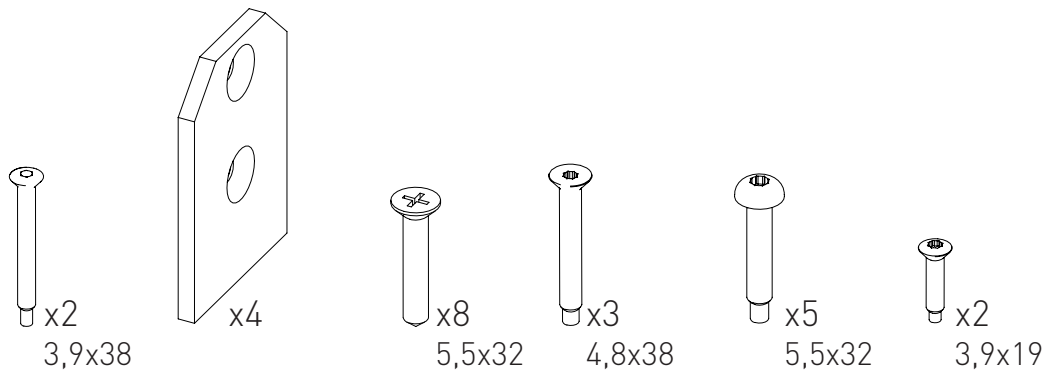


# KAM48

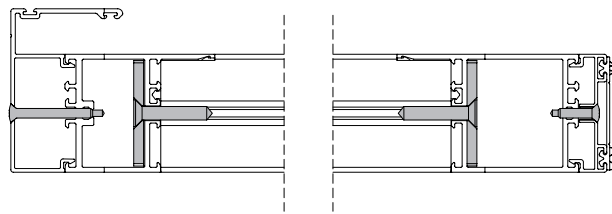
IP2192 • rev. 2014-11-11

ALU48 mobile wing kit

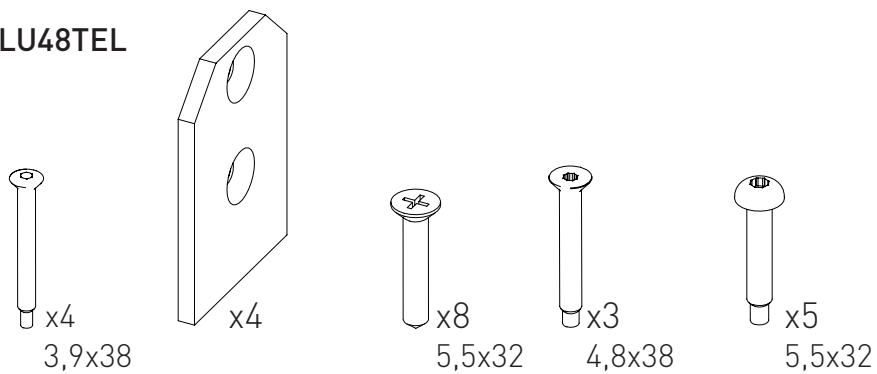
Kit anta mobile ALU48



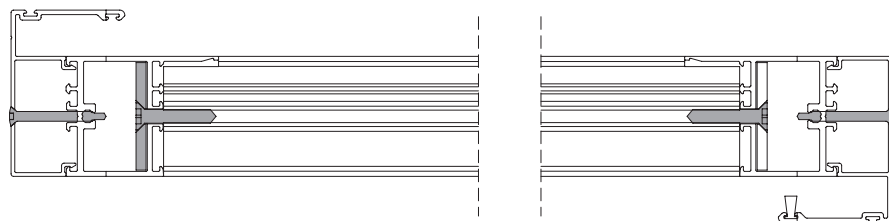
**M**



## ALU48TEL



**M1**



Entrematic Group AB  
Lodjursgatan 10  
SE-261 44, Landskrona  
Sweden  
[www.entrematic.com](http://www.entrematic.com)